



**DOSATRON®**

*WATER POWERED DOSING TECHNOLOGY*

---

# SCHEMATICS

## Dosatron Liquid Dispenser **Model # D200REIE – 7 GPM**

1:500 – 1:50

7 – 70 PSI

### **Suggested Installation:**

200 mesh/80 micron water filter prior to unit

One-way check valve downstream from unit for water hammer protection

### **Suggested Maintenance Interval:**

Replace injection seals every 12 months

---

### **DOSATRON SALES & SERVICE - NORTH & CENTRAL AMERICA**

Dosatron International, Inc.

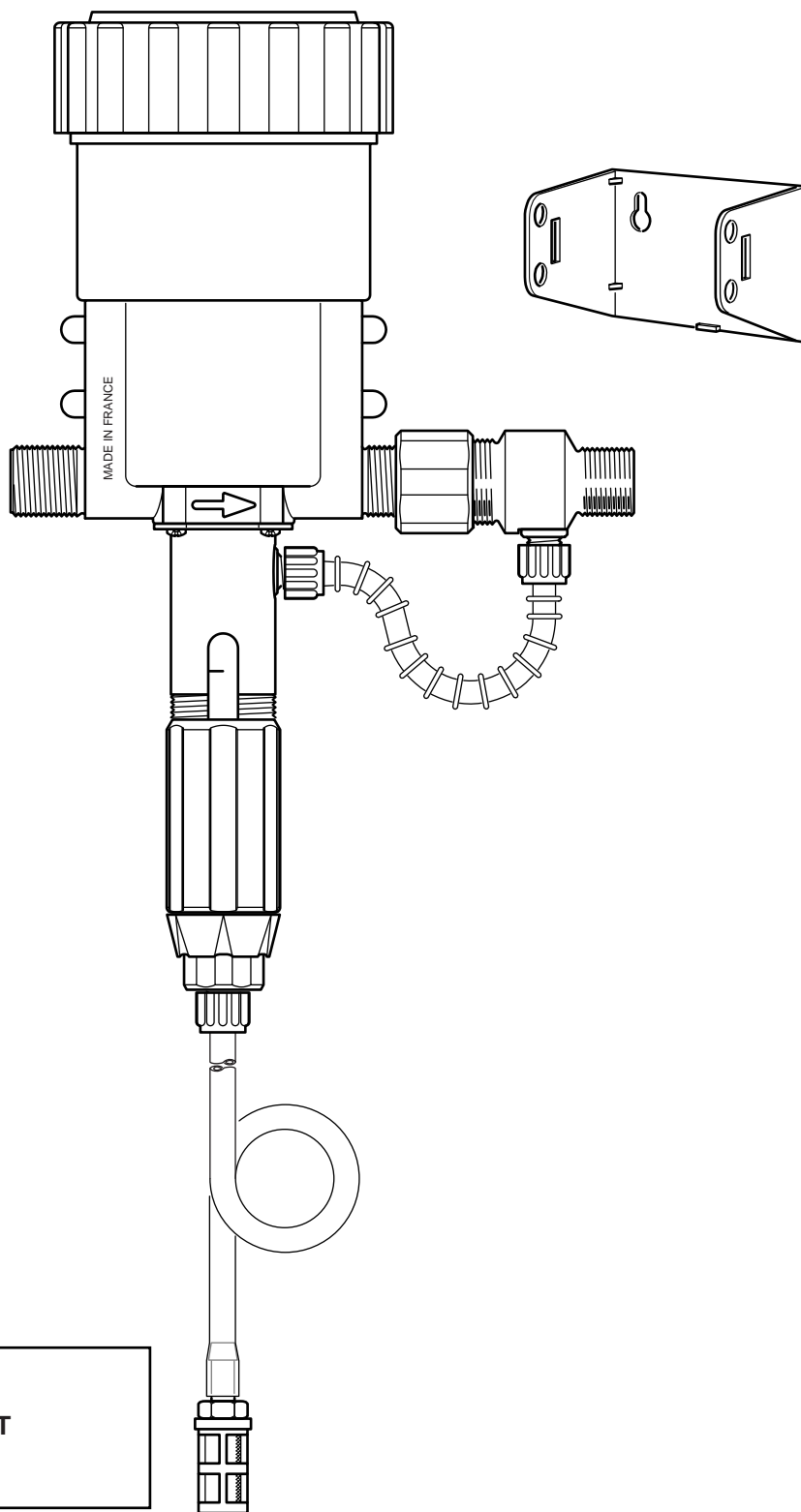
Phone: 727-443-5404 Service: (800) 523-8499

Fax: 727-447-0591

[www.dosatronUSA.com](http://www.dosatronUSA.com)

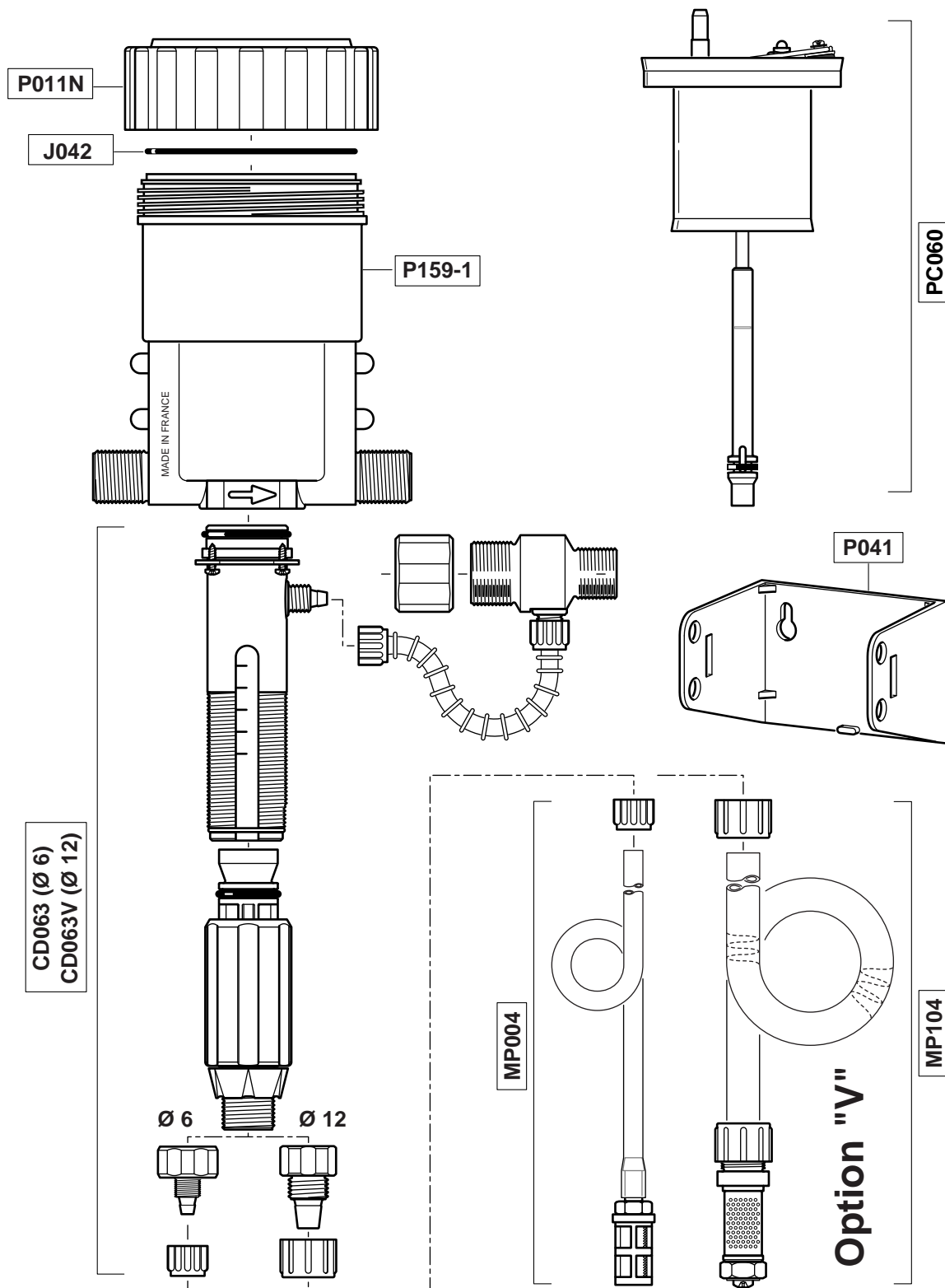
# D200RE-IE

1.5 m<sup>3</sup>/h - 0.2 - 2%  
7 GPM - 1:500 - 1:50  
0.5 - 5 bar  
7 - 70 psi



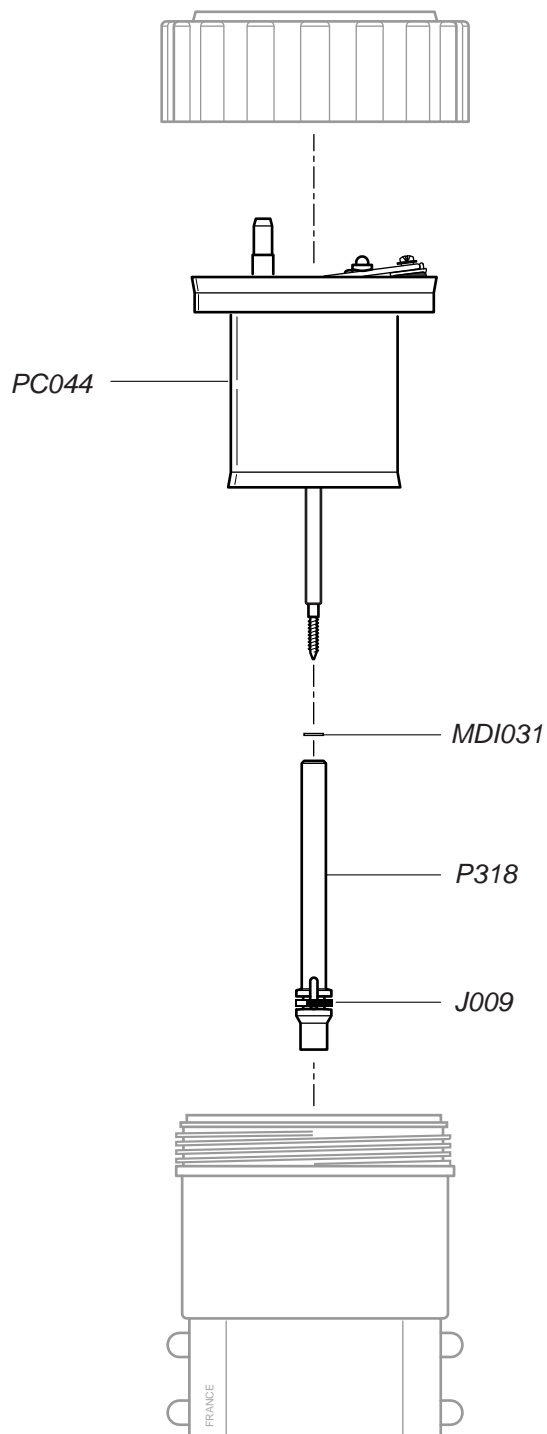
# D200RE-IE

1.5 m<sup>3</sup>/h - 0.2 - 2%  
 7 GPM - 1:500 - 1:50  
 0.5 - 5 bar  
 7 - 70 psi



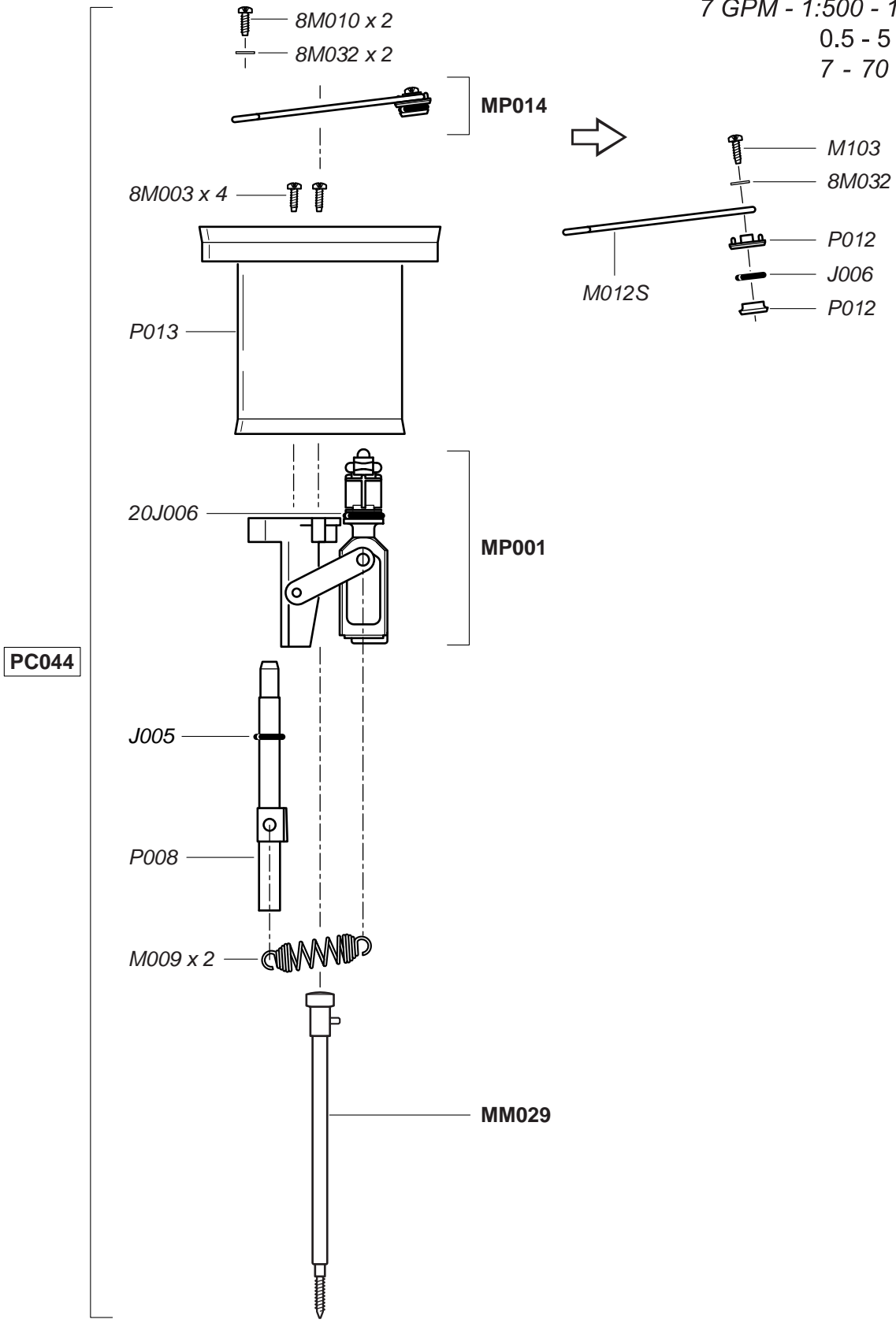
# D200RE-IE

1.5 m<sup>3</sup>/h - 0.2 - 2%  
7 GPM - 1:500 - 1:50  
0.5 - 5 bar  
7 - 70 psi



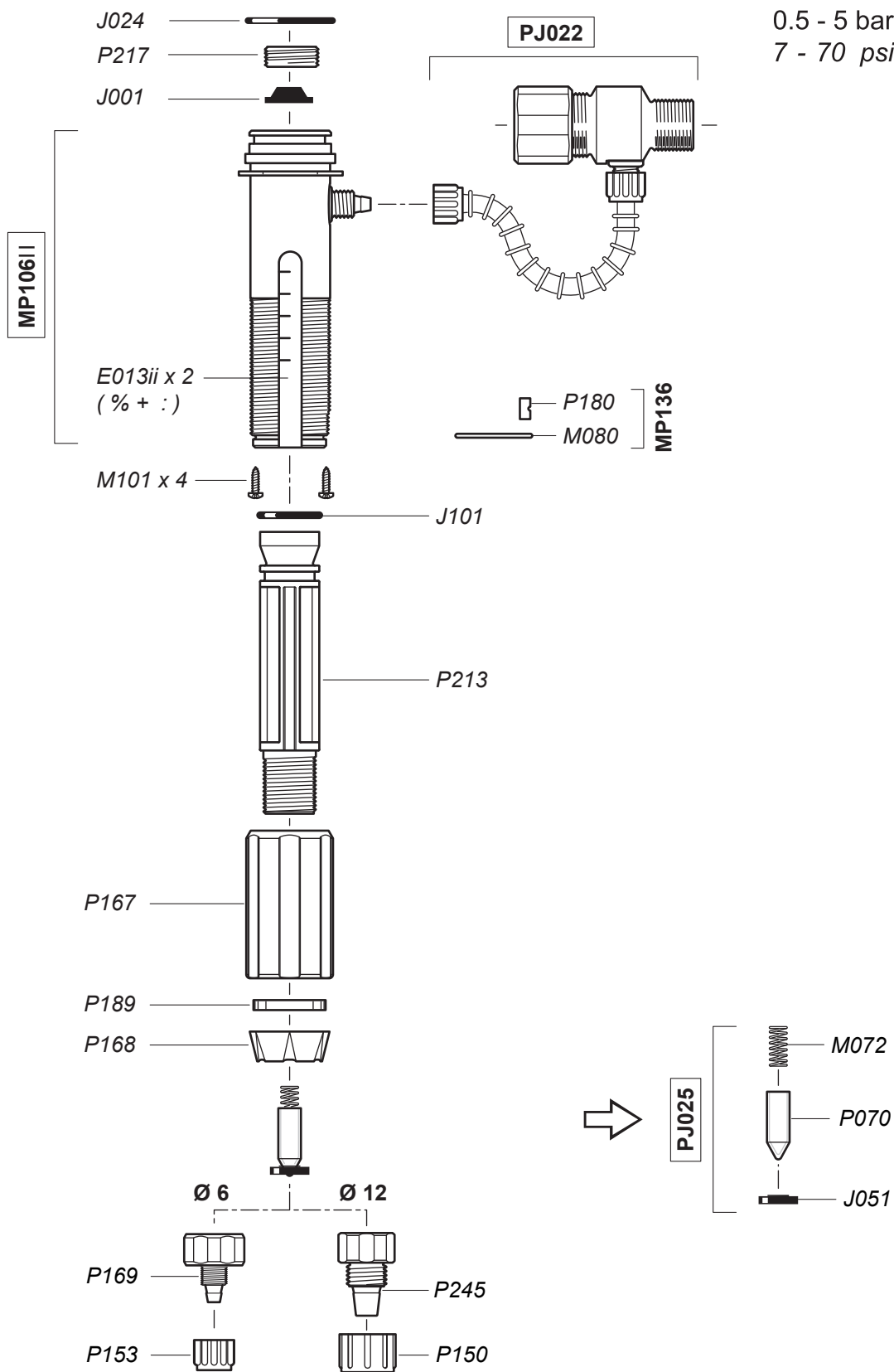
# D200RE-IE

1.5 m<sup>3</sup>/h - 0.2 - 2%  
 7 GPM - 1:500 - 1:50  
 0.5 - 5 bar  
 7 - 70 psi



# D200RE-IE

1.5 m<sup>3</sup>/h - 0.2 - 2%  
 7 GPM - 1:500 - 1:50  
 0.5 - 5 bar  
 7 - 70 psi



# D200RE-IE

1.5 m<sup>3</sup>/h - 0.2 - 2%  
7 GPM - 1:500 - 1:50  
0.5 - 5 bar  
7 - 70 psi

